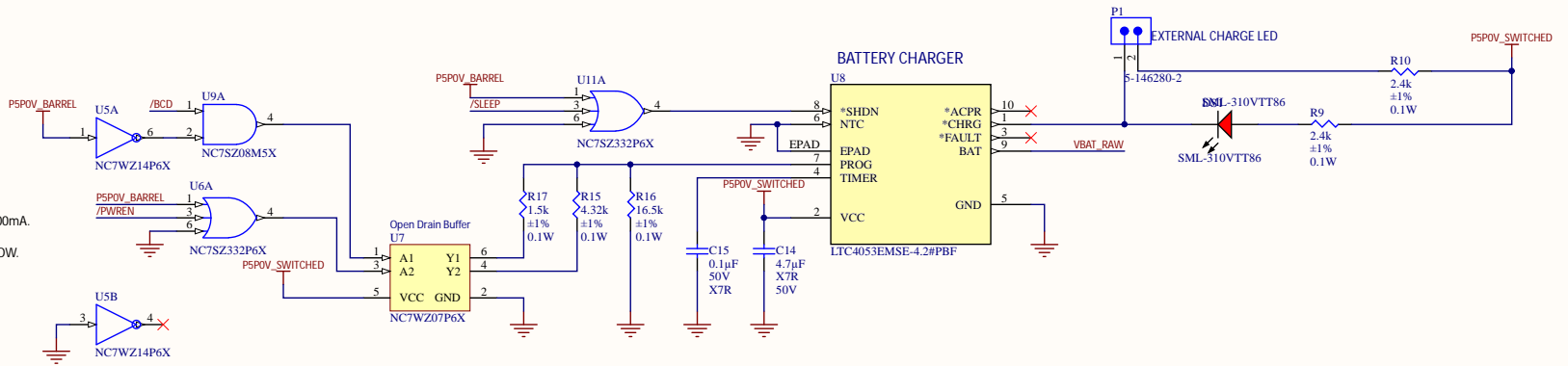


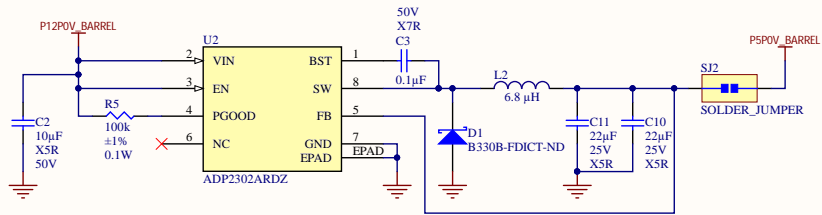
BATTERY CHARGING RATE LOGIC

Battery Charging Logic:

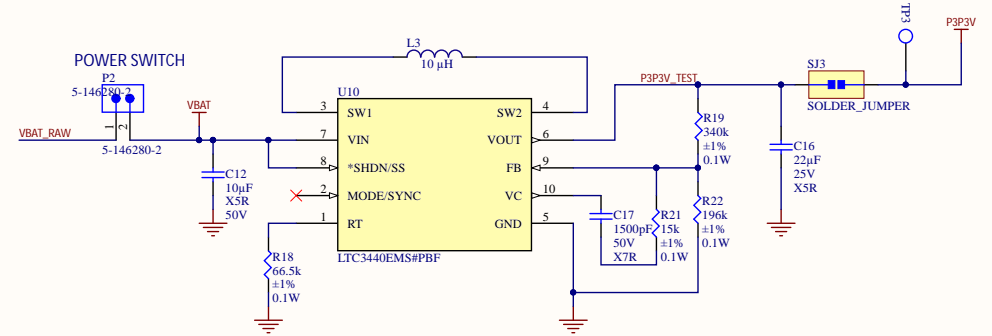
If P5POV_BARREL high or /BCD low, charge 1A.
 If P5POV_BARREL low and /PWREN low, charge 500mA.
 Otherwise, charge 100mA.
 Set resistors activate when Open Drain Buffer is LOW.



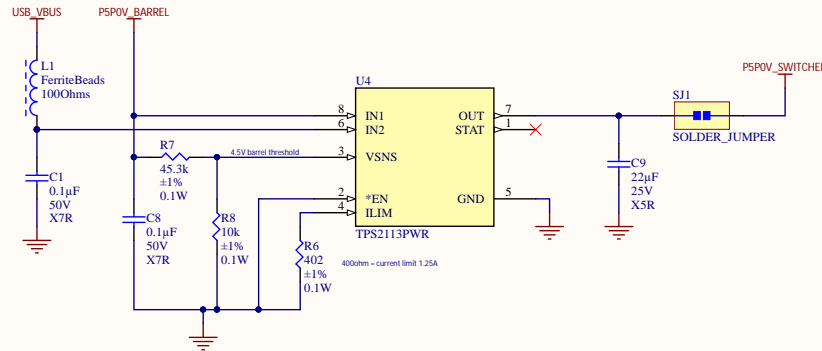
BARREL -> P5POV BUCK REGULATOR



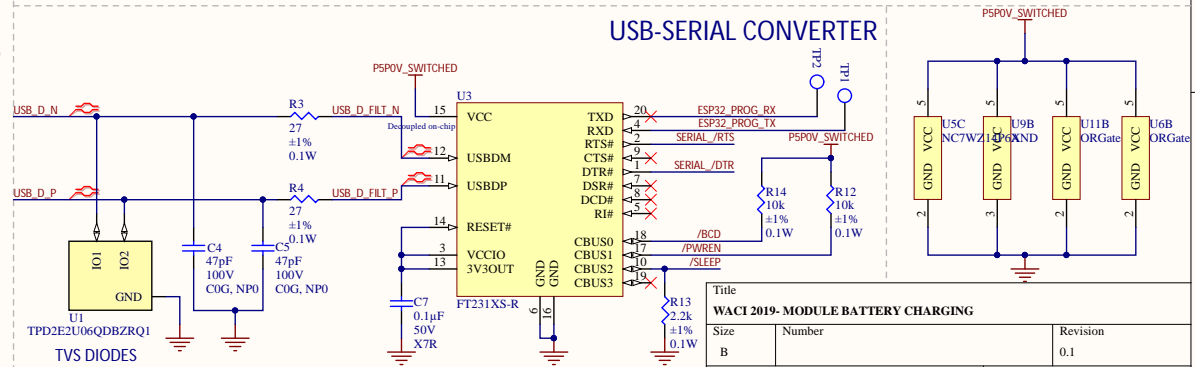
BATTERY -> P3P3V BUCK-BOOST REGULATOR



AUTO-SWITCHING POWER MUX

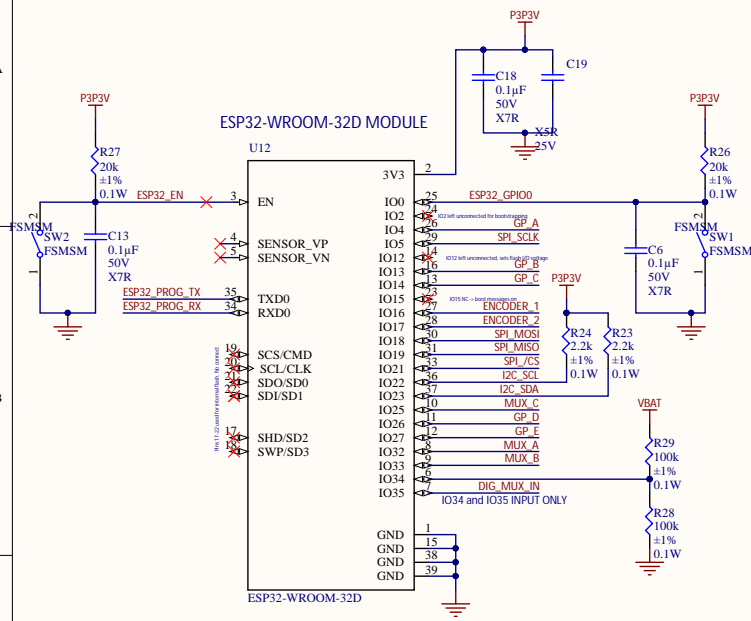


USB-SERIAL CONVERTER

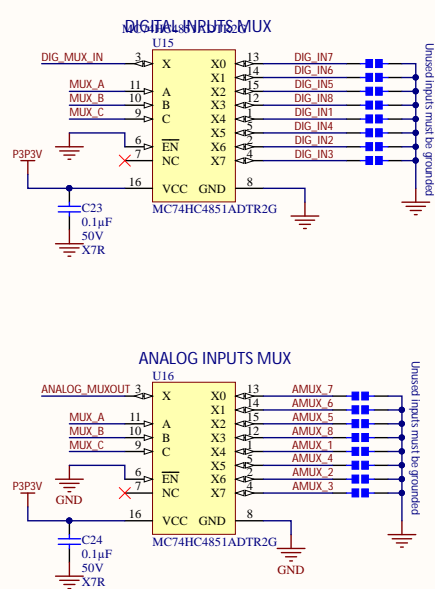


Title		
WACI 2019- MODULE BATTERY CHARGING		
Size	Number	Revision
B		0.1
Date:	10/18/2019	Sheet 1 of 3
File:	C:\Users\... \MODULE BATTERY CHARGING.DOC	

ESP32 WIRELESS CARD

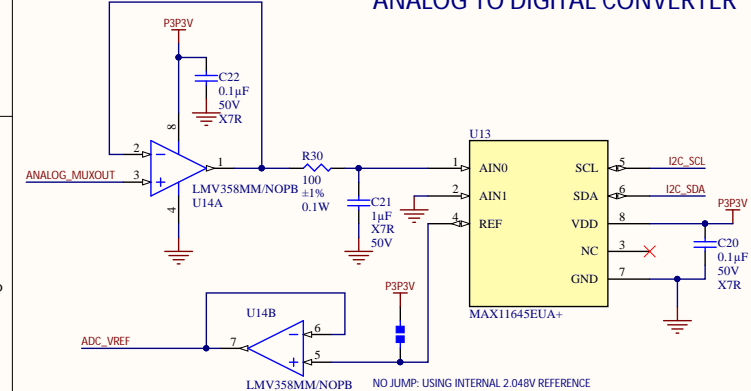


I/O MULTIPLEXERS

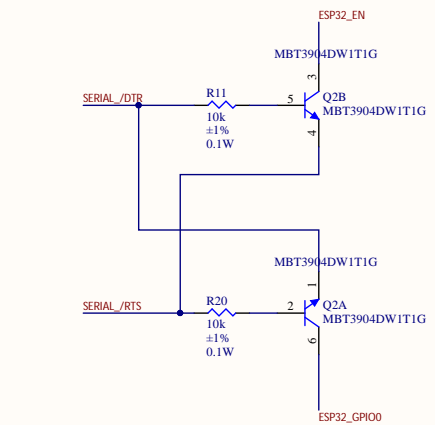


This space intentionally left blank

ANALOG TO DIGITAL CONVERTER

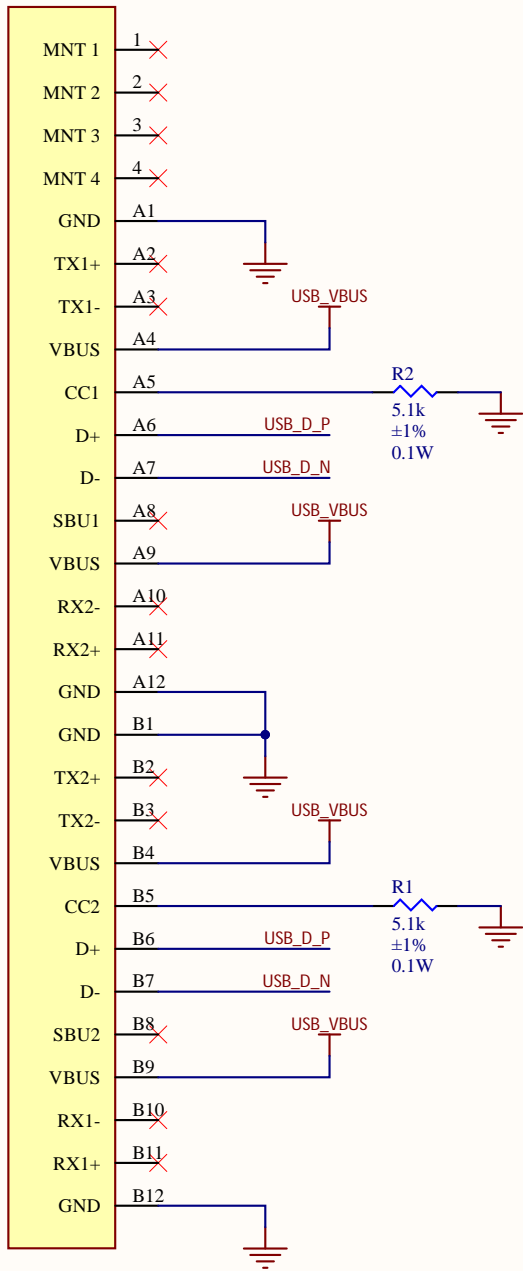


ESP32 AUTO-RESET

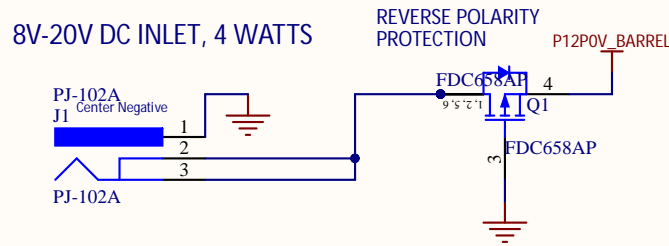


Title WACI 2019- MODULE PROCESSOR		
Size B	Number	Revision 0.1
Date: 10/18/2019	Sheet 2 of 3	
File: C:\Users\...MODULE_ESP32.SchDoc	Drawn By: *	

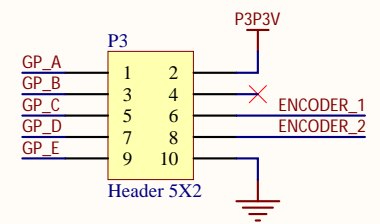
USB-C CONNECTOR



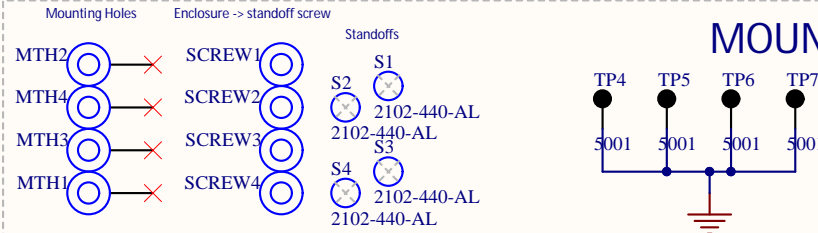
BARREL JACK



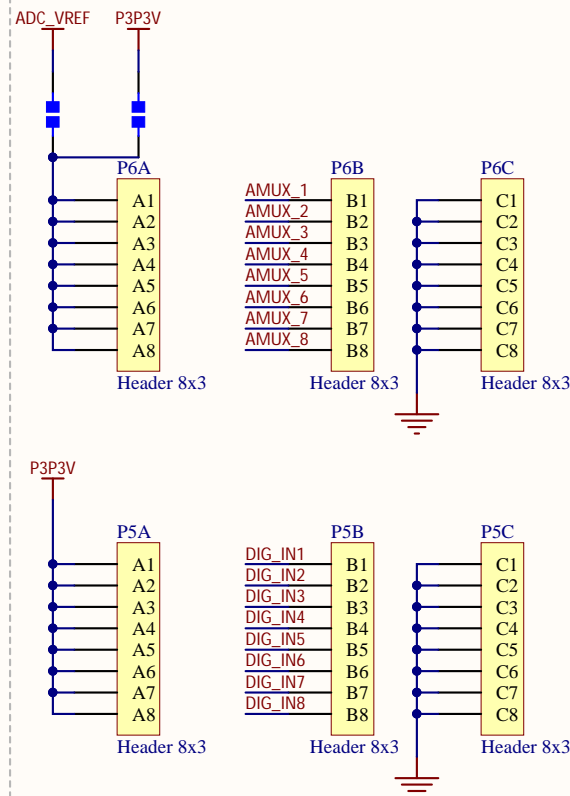
GP PIN HEADER



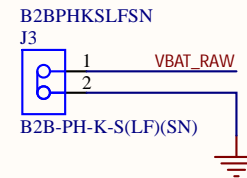
MOUNTING/ENCLOSURE HARDWARE



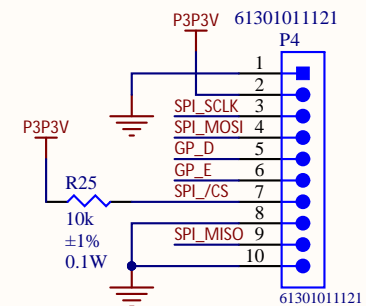
ANALOG/DIGITAL INTERFACES



BATTERY CONNECTOR



DISPLAY HEADER



Title		
WACI 2019- MODULE CONNECTORS		
Size	Number	Revision
A		0.1
Date:	10/18/2019	Sheet 3 of 3
File:	C:\Users\...\MODULE CONNECTORS.SchDoc	Drawn By: *